

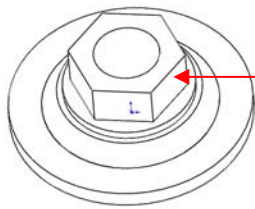
亞恩帝工業有限公司

A & T Company Pty., Ltd.

ANT-8680 安裝說明書 Operation Manual

1. 取下螺帽 (左牙, 轉順時鐘)

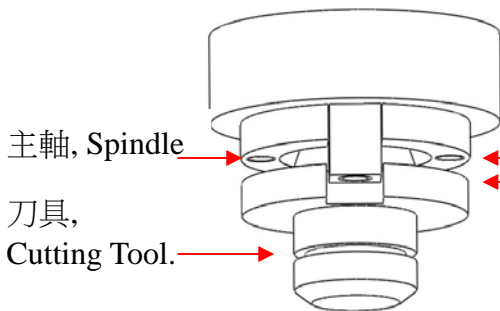
Release nut from Mill spindle by turning clockwise.



取下螺帽, 轉順時鐘.
Release this nut by turning clockwise

2. 放入新拉桿, 鎖上刀具, 測量拉桿正確長度, 如太長, 則將多餘長度由牙部修掉.

Insert new drawbar and lock tool in position, make sure drawbar length is correct, if too long cut the excess length from the thread.



鎖上刀具後,如刀具還會鬆動則將多餘長度由拉桿牙部修掉.

Lock tool in position, if tool is still loosen than measure this gap length and cut the excess length from the drawbar thread

3. 將新拉桿清潔乾淨並在有記號處上黃油後,再置入主軸

Clean and apply grease on new drawbar than insert back into spindle.

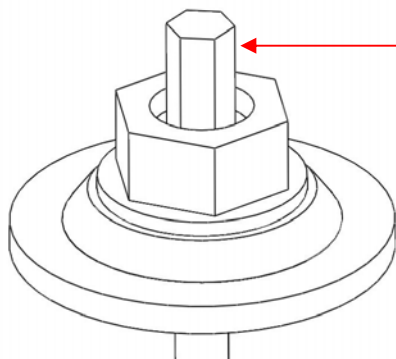


拉桿清潔乾淨並在此 3 處上黃油後,再置入主軸

Clean and apply grease in these 3 section than insert back into spindle

4. 鎖上螺帽,並確認拉桿可以正常轉動

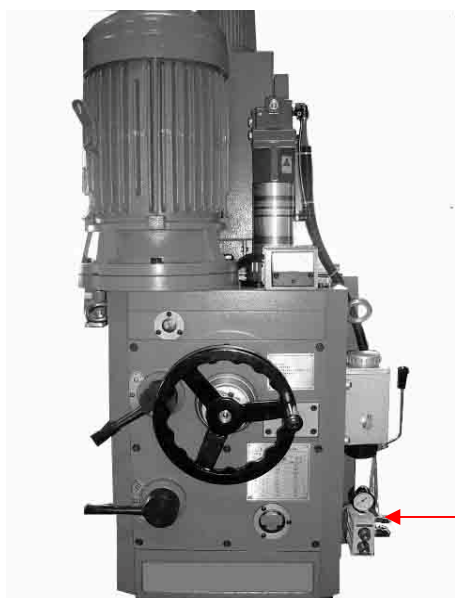
Lock nut back in its original place and make sure drawbar is able to rotate freely.



鎖上螺帽,並確認拉桿可以正常轉動
Lock nut back in its original place and
make sure drawbar is able to rotate
freely.

5. 將控制器安裝於最合適之地。(建議: 頭部側面) 需鑽 2 孔並攻 M6 牙.

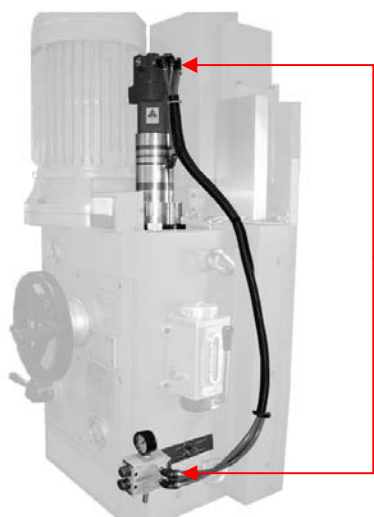
Install control unit by drilling two holes at the most convenient location for the operator.
(Suggestion: on the side of the mill head)



建議: 頭部側面
Suggestion: on the side of the mill head

6. 主機上的氣管接頭須與控制器同一方向, 已便接管.

Align the air fittings on the air motor with the control unit before installing the power drawbar unit.

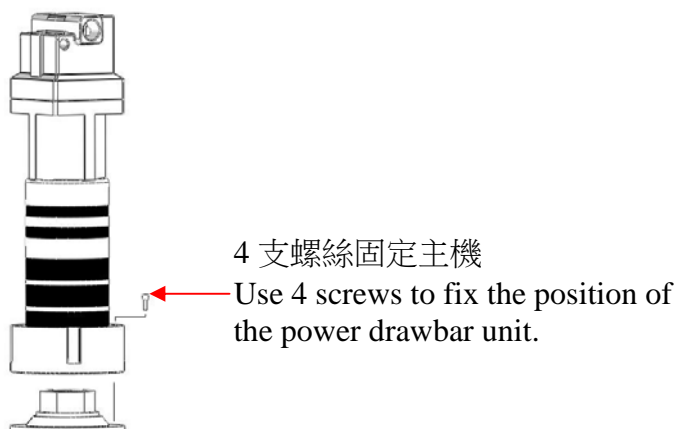


氣管接頭, Air fittings

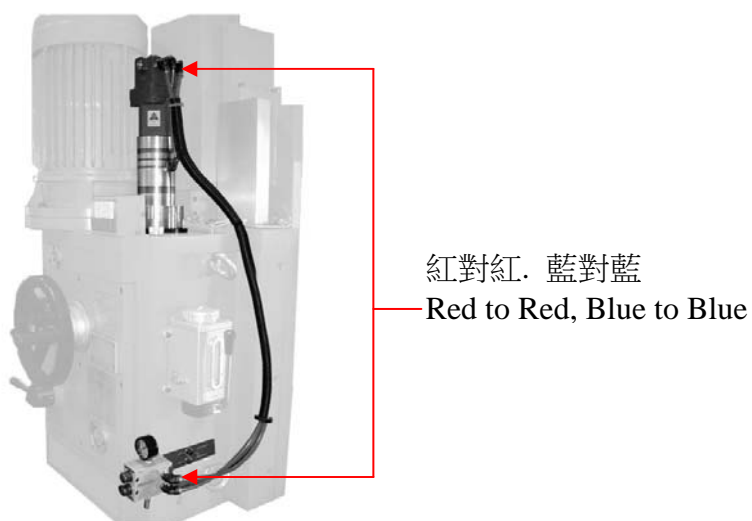
氣管接頭須與控制器同一方向, 已便接管
Air fittings on the air motor and control unit
must be at the same direction

控制器, Control unit

7. 使用 4 支螺絲固定主機
Use 4 screws to fix the position of the power drawbar unit.



8. 連結主機與控制器的氣管。(紅對紅. 藍對藍)
Connect the air tube from control unit to the power drawbar. (Red to Red, Blue to Blue)



9. 安裝三點組合
Install the air filter and oil lubricator unit.
10. 連結三點組合與控制器的 PU 管
Connect the high pressure air tube between control unit to air filter and oil lubricator unit.
11. 將備附的專用油注入三點組合的油杯內, 請定期檢查三點組合內的油。
Insert oil to the oil lubricator and periodically check the oil level.
12. 注意: 油品應使用氣動工具專用之潤滑油。
Never add gummy oil only professional air tool oil.